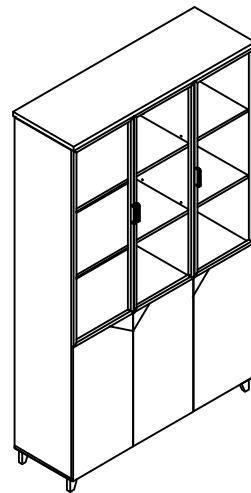
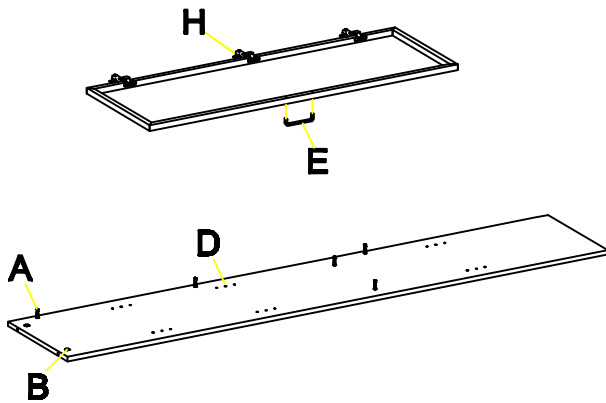
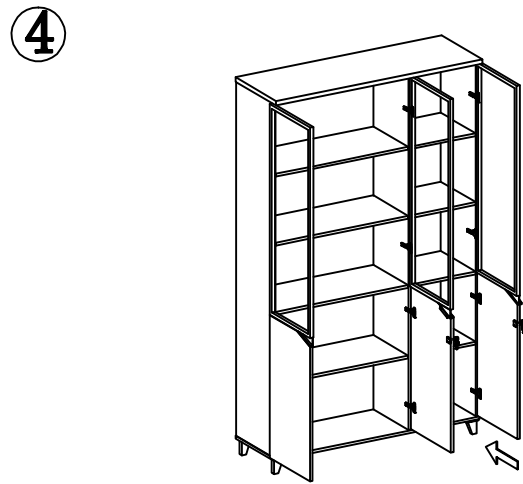
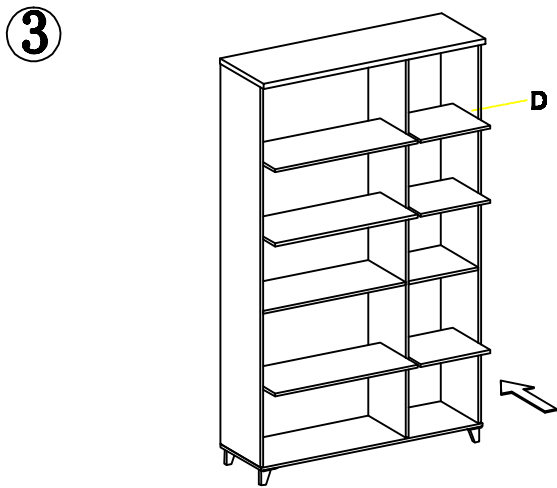
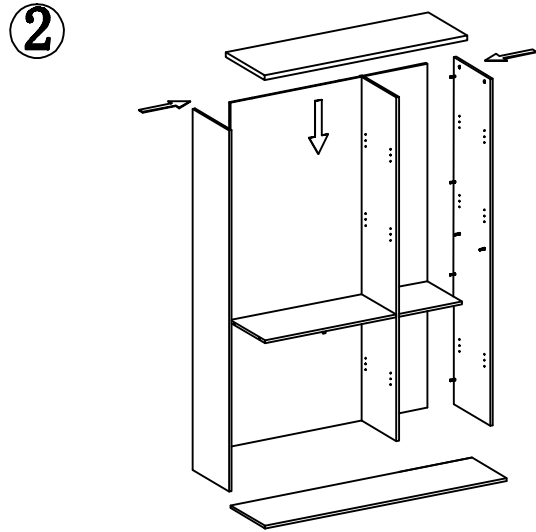
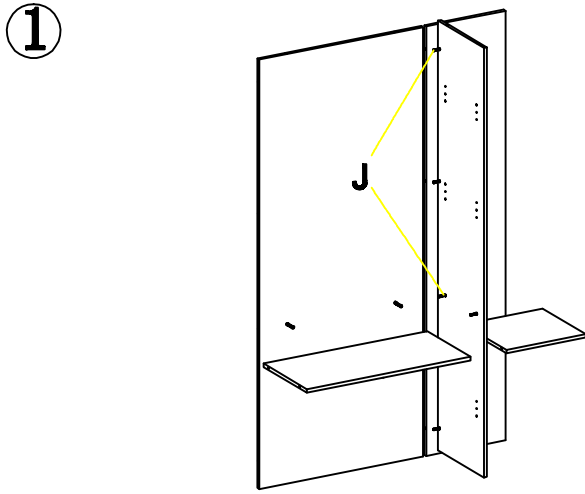
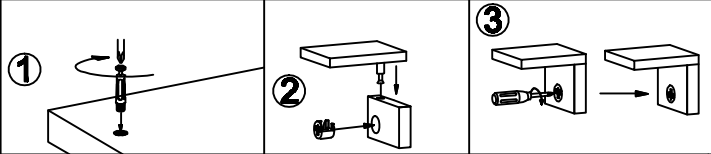


# ASSEMBLE INSTRUCTION



No.	A	B	C	D	E	F	G	H	I	J
PARTS LIST			 M3.6x14		 90U					
QTY	28	40	90	24	3	6	5	10	5	6